

ZMOTION PIR Lenses

Applications

- Lighting Control
- Thermostats
- Access Control
- Vending
- Video Doorbells
- Smart Displays
- Proximity Detection
- Power Management
- IP Cameras
- Occupancy Sensing
- Outdoor Lighting
- IoT Sensors

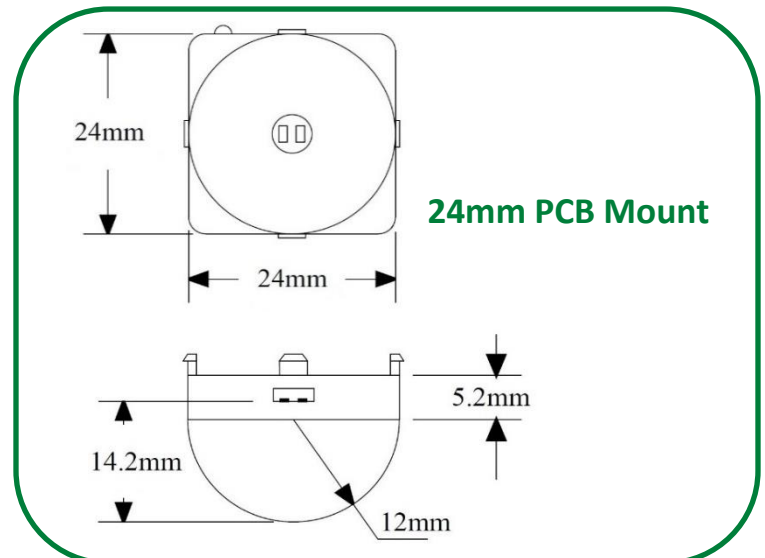
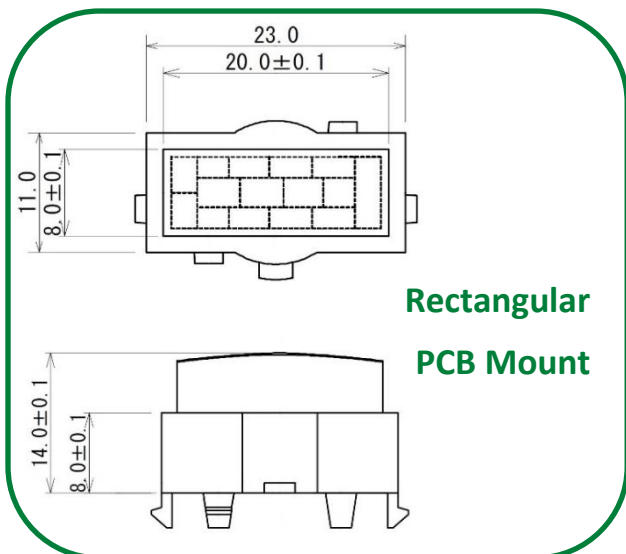
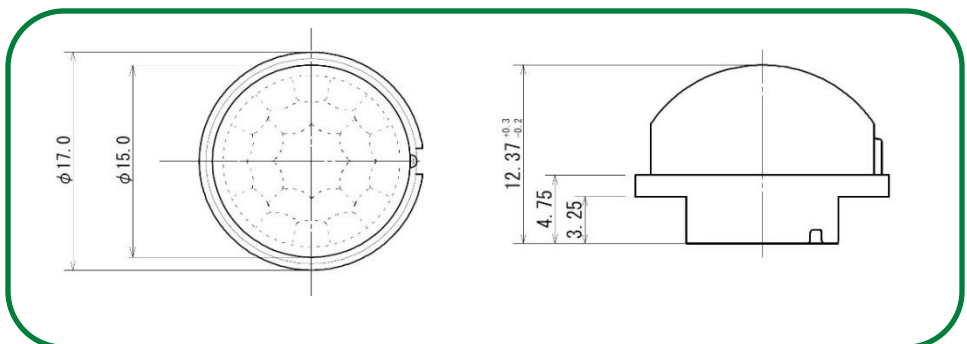
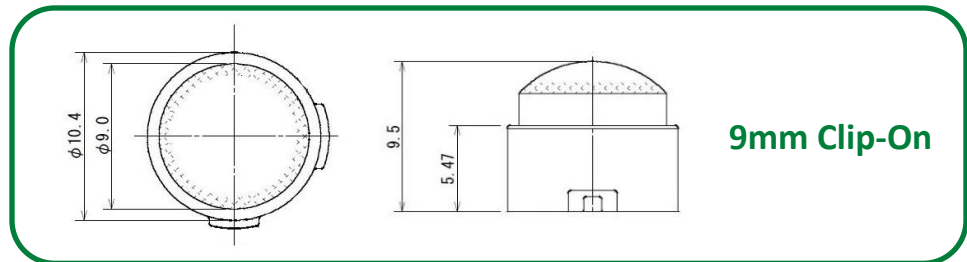
The ZMOTION Family includes a wide selection of PIR lenses for passive infrared motion sensing applications.

Six lenses are offered varying in detection range, field of view and mounting method, providing the flexibility to choose the most suitable lens for the application.







Two easy to use mounting options are provided:

- Clip-on – Clips directly on to the PIR sensor
- PCB Mount – Clips directly on to the circuit board

ZMOTION PIR Lenses are constructed from high density polyethylene (HDPE).



ZMOTION PIR Lens Selection Table

Lens	Features	Typical Applications
ZNCL10IL 	9mm Wall Mount Array 80°x30° Clips on to pyroelectric sensor 6 beams (X); 2 beams (Y) 7m range Recommended PIR Sensor: Dual Element	Wall mount for power management <ul style="list-style-type: none"> • Proximity or entrance detection • Kiosks • Vending • Product display's
ZNCL10R 	9mm Wall/Ceiling Mount Array (circular 360°) Clips on to pyro-electric sensor 90° Cone 14 zones with dual pyro 5m range Recommended PIR Sensor: Quad Element	Room Occupancy and Proximity Sensing <ul style="list-style-type: none"> • Lighting and HVAC control • Kiosk/Display control • Vending/Appliance power management • Product display's
ZNCL10S 	9mm Wall/Ceiling Mount Array (7°x7°) Clips on to pyro-electric sensor 2 beams (X); 1 beam (Y) 12m range Recommended PIR Sensor: Dual Element	Barrier or entrance detection <ul style="list-style-type: none"> • Kiosk/Display Counters • Vending • HVAC • Directional detection
ZNCL926 	Clip-on 15mm Array (360°) 26 Segments 5m height, 2.1:1 Floor diameter to height ratio Recommended PIR Sensor: Quad Element	Room Occupancy and Proximity Sensing <ul style="list-style-type: none"> • Lighting and HVAC Control • Kiosk/Display Control • Vending/Appliance Power Management
ZNCL11 	Wall/Ceiling Mount Array 104° (X), 37° (Y) Circuit board mount Black rectangular lens with flat front 32 detection zones 4-meter range Recommended PIR Sensor: Dual Element	Wall or ceiling mount for power management <ul style="list-style-type: none"> • Room occupancy sensing • Appliance power management • Display/keypad power management • TV auto shut-off
ZCWM05GIV1 	Ceiling/Wall Mount Array (180°) Circular lens with 24mm square base Board mount clip-in 9m height/range Recommended PIR Sensor: Dual or Quad Element	Wall or ceiling mount for office or meeting rooms <ul style="list-style-type: none"> • Mid Bay Lighting Control • Room Lighting Control • Local HVAC Control