

## ZMOTION® 20-Pin Occupancy Detection Solution with Lens and Pyroelectric Sensor Selection Options

If you don't have your own lenses and pyros but need more analog input and/or additional sensing options than an 8-pin package will provide, Zilog offers the 20-pin ZMOTION MCU. Like the 8-pin version, you can optimize the performance of your product by choosing a lens and pyro to match your application.

Zilog combines the ZMOTION MCU and integrated motion detection algorithms with a selection of lenses and PIR sensors to fit a wide range of applications. Zilog's family of lenses spans 360-degree ceiling, 180-degree wall mount, 15-meter long range and 5-meter short range. API settings are provided to match the PIR engine operation to each of our lens and PIR sensor combinations.



PIR motion-detection technology provides a dramatic improvement in both sensitivity and stability over traditional designs and is scalable to many market segments including Lighting Control, HVAC, Access Control, Vending, Display, Proximity, Power Management, Occupancy Sensing, and many others.

The ZMOTION 20-Pin MCU is programmed with application software that offers hardware and serial modes of operation. It is designed to be modified for your own custom application while taking full advantage of ZMOTION technology.

### Product Features and Benefits

- Wall, ceiling, high ceiling, corner wall and long range mounting options with Fresnel and Nicera lenses
- Circular and rectangular floor pattern options
- Basic dual, premium dual & quad element pyroelectric sensor options
- Lens selection options target lighting control, HVAC, meeting rooms, appliances, vending power management and kiosk/display control applications
- Optimize the performance of your product by choosing a lens that closely matches your application
- Includes preprogrammed ZMOTION detection algorithms
- API settings are provided to match the ZMOTION Engine operation to each of the lens and PIR sensor combinations provided

## Reference Designs, Application Notes and Source Code

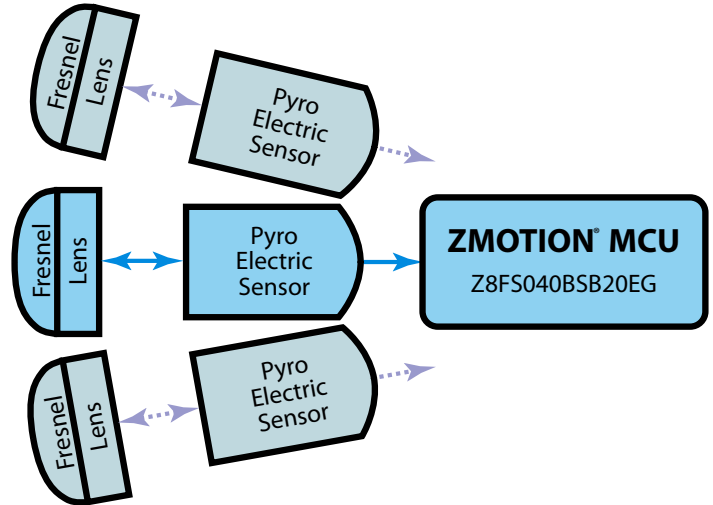
### Reference Designs

Motion Sensing & LED Control with a ZMOTION/ IXYS Display ([RD0003](#), [RD0003-SC01](#), [RD0003-SC02](#), [RD0003-SC03](#))

### Application Notes

High Brightness LED Reference Design ([AN0309](#), [AN0309-SC01](#))

## ZMOTION Occupancy Detection Block Diagram



## Part Numbers

Z8FS040BHH20EG	ZMOTION 20-Pin Detection and Control MCU
ZMOTIONL200ZCOG	ZMOTION 20-Pin Detection and Control Development Kit
ZRE200GE	Standard Dual-Element PIR Sensor
ZSBG323671	Premium Dual-Element PIR Sensor
ZSBG446671	Premium Quad-Element PIR Sensor
ZAA09GIT1	Animal Alley Array (88°) Lens
ZCM077GIV2	Low-Level Ceiling Mount Array (360°) Lens
ZCM077GIV3	Mid-Level Ceiling Mount Array (360°) Lens
ZCM077GIV5	High-Level Ceiling Mount Array (360°) Lens
ZCWM05GIV1	Ceiling/Wall Mount Array (180°) Lens
ZNCL926	Clip-On 15mm Ceiling/Wall Mount Array (360°) Lens
ZNCL10IL	Clip-On 10mm Wall Mount Array (80°x 30°) Lens
ZNCL3B	Clip-On 10mm Wall Mount Array (60° x 60°) Lens
ZNCL10R	Clip-On 10mm Ceiling/Wall Mount Array (360°) Lens
ZNCL10S	Clip-On 10mm Wall Mount Array (18°) Lens

## Resources & Documentation

- |   |   |
|---|---|
| <a href="#">Order Samples</a>           | <a href="#">Product Brief (PB0225)</a>                        |
| <a href="#">Product Information</a>     | <a href="#">Product Specification (PS0285)</a>                |
| <a href="#">Development Kit</a>         | <a href="#">User Manual (UM0239)</a>                          |
| <a href="#">ZDSII Development Tools</a> | <a href="#">White Paper (WP0018)</a>                          |
| <a href="#">Schematic Diagrams</a>      | <a href="#">Technical Support</a> <a href="#">Zilog Forum</a> |

**A selection of matched lens and pyroelectric sensors available to meet a variety of applications.** Optimized configuration parameters for the ZMOTION 8-Pin MCU are provided for each lens/sensor combination ensuring the best possible performance while significantly reducing development risk and minimizing time to market.

**Wall, ceiling, high ceiling, corner wall and long range mounting options.** Optimize the performance of your product by choosing a lens that closely matches your application. Use your own or select from our family of lenses spanning 360-degree ceiling, 180-degree wall mount, 15-meter long range, and 5-meter short range.

**Includes preprogrammed ZMOTION detection algorithms.** Zilog's ZMOTION 8-Pin MCU combines the programmability and rich peripheral set of the Flash-based Z8F042A MCU with built-in software-based motion detection algorithms. These motion detection algorithms comprise the PIR engine and run in the background of the MCU while control and status of the engine is accessed through a software API.

**API settings.** Optimized API settings are provided for each lens and pyroelectric sensor combination.

**Standard and Extended Range Support.** An API register setting allows the user to set the sensitivity of the extended detector to detect slower, faster, or more subtle motion.

**SLEEP mode for lower-power applications.** User-controlled modes. The API register settings allow the user to implement

and adjust sensitivity control, range control, directionality detection, hypersense, and low-power modes..

**High MTBF.** The module is implemented with a small number of components and algorithms that have been tested in numerous applications to ensure highest possible quality and reliability.

**Reduced Bill of Materials.** Because the pyroelectric sensor is directly interfaced to the MCU, external op amps, electrolytic capacitors and other components are eliminated. The enhanced PIR motion detection engine also eliminates the need for a discrete temperature compensation circuit.

**Complete ZDS II development system available.** The development kit includes a ZMOTION Development Board, mini-USB serial cable, a selection of lenses and pyroelectric sensors, lens holders, power supply, and a ZDSII USB Smart Cable to allow development and debugging of custom application software.

*Insert local  
contact information  
here*

*(Copy your info into Paint, then in Acrobat choose Tools > Comment & Markup > Stamps > Paste Clipboard Image As Stamp Tool to insert into saved pdf file)*